



**MICRO SWITCH**

FREEPORT ILLINOIS  
A DIVISION OF HONEYWELL

FED. MFG. CODE 91929

# SWITCH-BASIC

CATALOG LISTING

## BZ-2RW863-A2

### APH3500

BZ-2RW863-A2  
PAGE 1 OF 1

M

DRAWING NUMBER

ISSUE 10

REPLACES

RELEASE NO.

CHECK

RJ

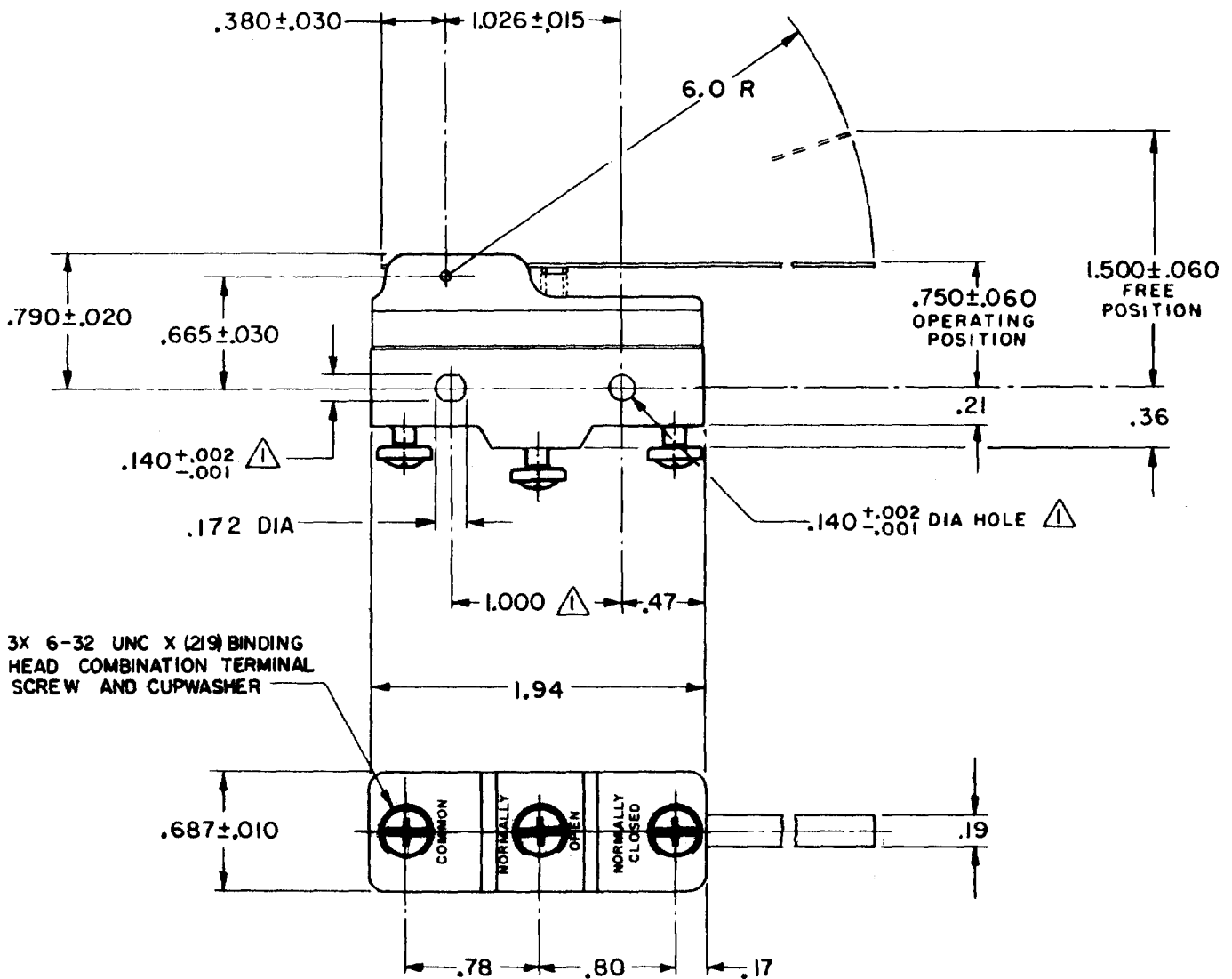
CHECK

62

50

62

62



3X 6-32 UNC X (219) BINDING HEAD COMBINATION TERMINAL SCREW AND CUPWASHER

**NOTE**  
MOUNTING HOLES WILL ACCEPT PINS OR SCREWS OF .139 MAX DIA ON 1.000 ± .002 CENTERS

THIS DRAWING COVERS A PROPRIETARY ITEM AND IS THE PROPERTY OF MICRO SWITCH, A DIVISION OF MINNEAPOLIS-HONEYWELL REGULATOR CO. THIS DRAWING IS NOT TO BE COPIED OR USED WITHOUT THE APPROVAL OF MICRO SWITCH.

### CHARACTERISTICS

OPERATING FORCE — — — — 1 OZ MAX

DIFFERENTIAL TRAVEL — — — .018 — .145

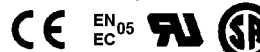
OVERTRAVEL — — — — .500 MIN

### ELECTRICAL DATA

CONTACT ARRANGEMENT  
S P D T

-L96- 15 A-125, 250, OR 480 VAC  
1/2 A-125 VDC; 1/4 A-250 VDC  
1/8 HP-125 VAC, 1/4 HP-250 VAC

-L288-  
-L306-  
-L315-



16A 250V ~ T85 5E4

### SCALE FULL

DO NOT SCALE PRINT

UNLESS OTHERWISE SPECIFIED  
DIMENSIONS ARE IN INCHES  
**TOLERANCES ARE:**  
ONE PLACE (.0) ± .030  
TWO PLACE (.00) ± .015  
THREE PLACE (.000) ± .005  
ANGLES ±

WEIGHT .065 LB

FORMTEK

FO-30378

DRAWN

MBF 6 SEP 62